

123-898C190 21" ERS 6 Speed Convertible Mower (1993)
21" ERS 6-Speed Convertible Mower

Page 2 of 8

Ref #	Part Number	Qty	S/P/F	Description
1	720-0225	2 Req'd.	S	Grip (2 Req'd. - Optional)
2	647-0004	1		Control Handle
3	710-1205	1	/P	Rope Guide
4	710-0605	1	/P	Oval C-Sunk Scr.
5	731-1023	1	/P	Rear Discharge Chute Ass'y.
6	713-0397	1	S	3 Tooth Rack Gear Insert
7	746-0875	1	S	Throttle Body
8	736-0501	1	S	Spr. Wash. .66" I.D.
10	746-0876	1	S	Throttle Lever
11	731-0982A	1	S	Hub Cap (Beige)
	731-0981A	1	S	Hub Cap (Gray)
12	710-0946	1	/P	Truss Mach. Scr. 1/4-20 x .62" Lg.
14	749-0439B	1	S	Upper Handle
15	16129A	1	S	Panel Support Brkt.
16	16862A	1	S	Rear Catcher Panel Ass'y.
17	17095A	1	S	Rear Discharge Door
19	732-0483A	1	/P	Torsion Spring
20	747-0514	1		Pivot Pin
21	710-0134	1	/P/F	Carriage Bolt 1/4-20 x .62"
22	710-0255	1	S	Truss Mach. Scr. 1/4-20 x .75" Lg.
23	710-0289	1	S	Hex Bolt 1/4-20 x .5" Lg.
24	738-0704	1	S	Shoulder Bolt Special
25	710-0258	1	S	Hex Bolt 1/4-20 x .62" Lg.
26	712-0287	1	S/F	Hex Nut 1/4-20 Thd.
27	16855	1		Pawl Plate
28	736-0329	1	S/F	L-Wash. 1/4" I.D.
29	747-0705	1	S	Front Grass Catcher Frame
31	731-0906	1	S	S.P. Control Cover
32	735-0639	1	/P	Spark Plug Insulator
33	712-0397	1	S	Wing Nut
34	746-0674	1	S	Throttle Cable 61"
35	749-0907	1	S	Lower Handle Code: N Notates a new part (not previously existing)
36		1		Engine
37	751-0568	1	S	Casing Clamp
38	764-0257	1	S	Grass Bag
39	14835	1		Retaining Strip
40	712-0397	1	S	Wing Nut 1/4-20 Thd.
41	736-0204	1	/P	FI-Wash. .344" I.D. x .62"
42	17055B	1	/P	Chain - Axle Ass'y.
43	710-0352	1	/P	Hex B-Tap Scr. 1/4" x .38"
44	736-0270	1	/P	Bell-Wash. 1/4" I.D.
45	710-0776A	1	S	Hex AB-Tap Scr. 1/4 x .62"
47	712-0296	1	S	Hex Patch L-Nut 3/8-24 Thd.
48	713-0353	1	S	#48 Chain .500" Pitch x 30 Links
?49	782-9012	1	S	Lower Battery Tray
50	731-0564	1		Plug
51	731-0672A	1	/P	Rear Flap 3.75" x 17.30" Lg.
52	726-0240	1	S	Cable Tie
54	710-1025	1	/P	Hex AB-Tap Scr. #12 x 1.25" Lg.
55	753-0485	1	/P	Blade Adapter Kit

123-898C190 21" ERS 6 Speed Convertible Mower (1993)
21" ERS 6-Speed Convertible Mower

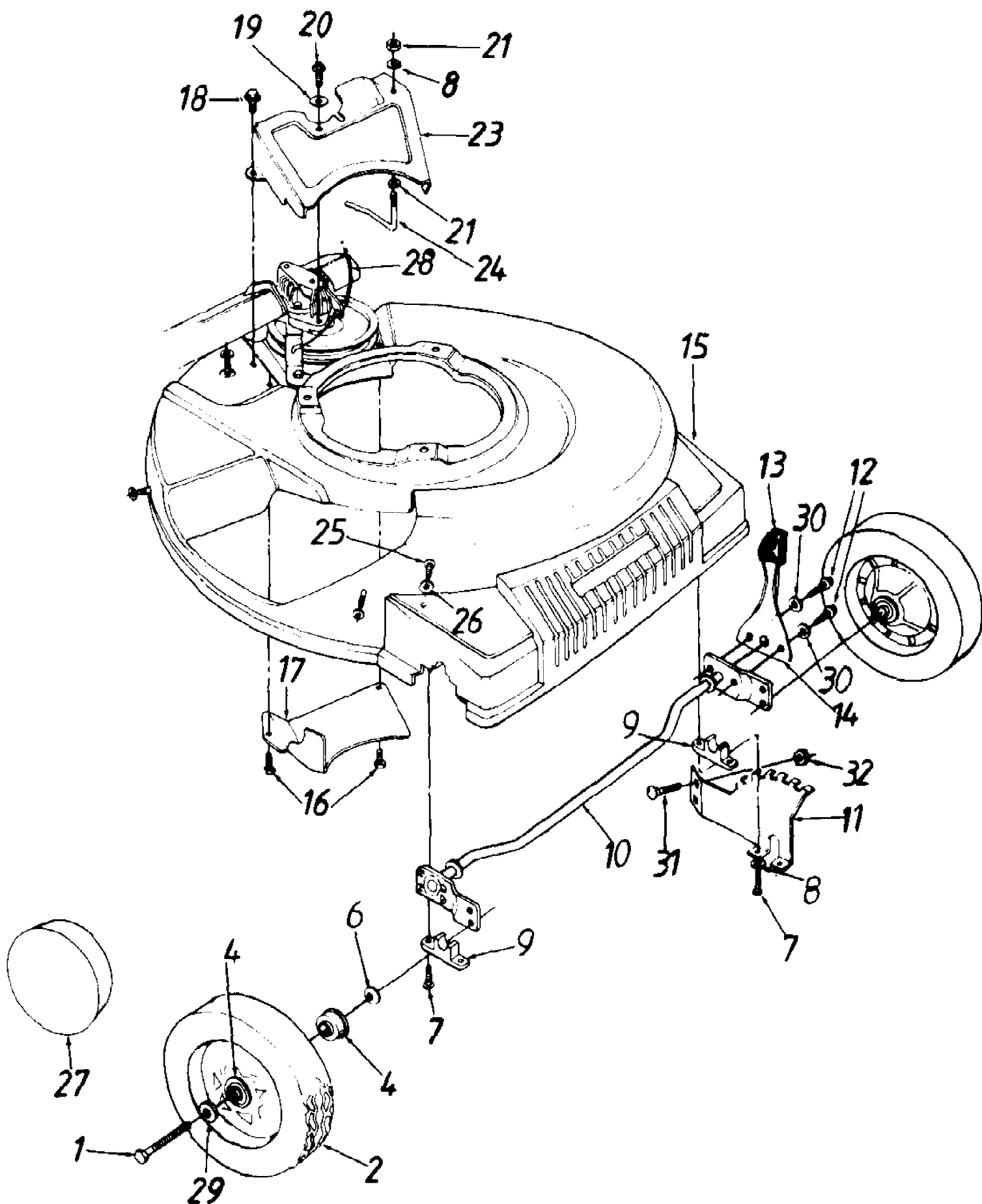
Page 3 of 8

Ref #	Part Number	Qty	S/P/F	Description
56	742-0721	1	S	21" Mulching Blade Code: N Notates a new part (not previously existing)
58	736-0453	1	S	Bell-Wash. .46" I.D.
60	710-0757	1	/P	Hex Bolt 7/16-20 x 1.5"
61	748-0190	1	/P	Spacer .513" I.D.
62	710-1237	1		Hex Wash. Hd. Scr. #10-32 x .62" Lg.
?63	736-0119	1	S/F	L-Wash. 5/16" I.D.
64	16136B	1	S	R.H. Handle Wheel Brkt. Ass'y. Code: N Notates a new part (not previously existing)
65	16137B	1	S	L.H. Handle Wheel Brkt. Ass'y.
66	710-0260	1	S/F	Carriage Bolt 5/16-18 x .62"
67	710-0603	1	/P	Hex B-Tap Scr. 5/16-18
68	710-0654A	1	/P	Hex TT-Tap Scr. 3/8-16
69	712-0267	1	S/F	Hex Nut 5/16-18 Thd.
70	720-0223	1		Grip
71	732-0606	1		Height Adj. Lever
72	732-0481	1	S	Extension Spring 3.80" Lg.
73	736-0242	1	/P	Bell-Wash. 5/16" I.D.
75	750-0624	1		Shld. Spacer .5" Dia.
76	719-0279	1	/P	Rope Guide
77	726-0233	1	/P	Bolt Retainer 1/4 x .50" O.D.
79	712-0324	1	/P	Hex L-Nut 1/4-20 Thd.
80	738-0137	1		Shld. Scr. .342" Dia. x .268
81	748-0188B	1	S	Pawl
82	734-1514B	1	S	Wheel Ass'y. Comp. (Beige)
	734-1510B	1	S	Wheel Ass'y. Comp. (Gray)
84	741-0486B	1		Sleeve Bearing 1/2" I.D.
86	712-0189	1	S	Flat Nut 1/4-20 Thd.
87	731-0880	1		Panel Clip
89	720-0276	1	S	Hand Knob
90	731-1343	1	S	Mulching Plug
91	714-0104	1	S	Hairpin Clip
92		1		UNKNOWN
95	746-0710A	1	S	S.P. Cable - 50" Lg.
96	754-0343	1	S	"V"-Belt
97	731-0801	1	/P	Bag Handle
98	711-0313	1	S	Sleeve .526" I.D.
99	710-1055	1	/P	Hex Bolt 3/8-24 x 1.0" Lg.
100	712-0241	1	/P	Hex Nut 3/8-24 Thd.
101	736-0169	1	S	L-Wash. 3/8" I.D.
102	17051B	1	S	21" Deck Ass'y. Code: N Notates a new part (not previously existing)
114	731-0904	1	S	Self-Propelled Control Cover
115	731-0905	1	S	Self-Propelled Control Cover
116	731-0620	1	S	Control Lever
117	720-0190	1	S	Door Grip
118	710-0841	1	/P	FI-"C"-Sunk Hd. Tap Scr. #10 x .75" Lg.
119	16864	1		6-Speed Rack Cable Brkt.
120	736-0211	1	S	FI-Wash. .285" I.D. x 1.25" O.D.
121	710-1174	1	/P	Curved Hd. Bolt 5/16-18 x 2" Lg.
122	711-0805	1		Shld. Pin 1.43" Lg.

123-898C190 21" ERS 6 Speed Convertible Mower (1993)
21" ERS 6-Speed Convertible Mower

Page 4 of 8

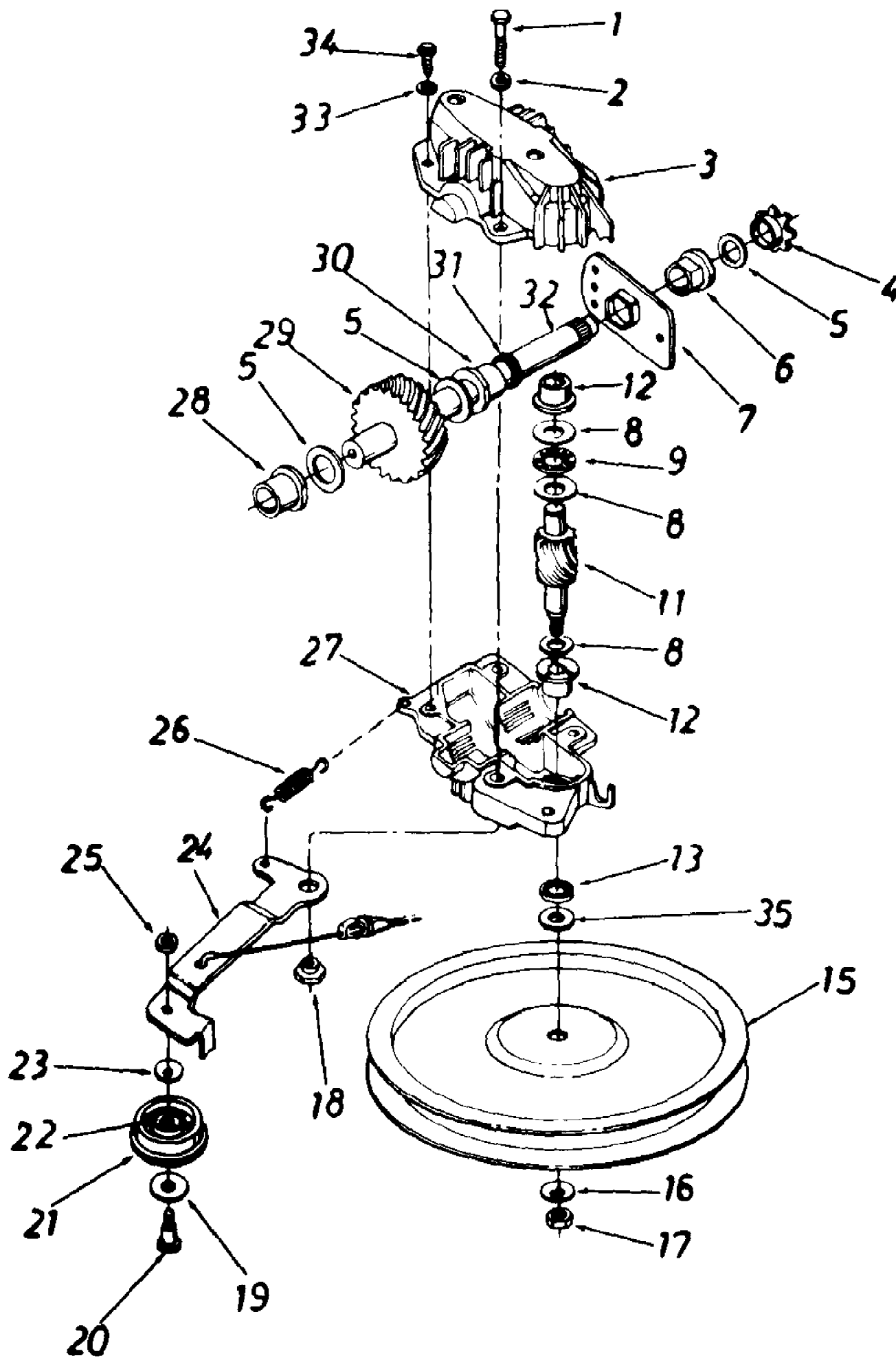
Ref #	Part Number	Qty	S/P/F	Description
123	736-0169	1	S	L-Wash. 3/8" I.D.
128	712-0711	1	/P/F	Hex Jam Nut 3/8-24 Thd.
129	746-0912	1	S	Control Cable - 44" Code: N Notates a new part (not previously existing)
130	748-0318	1	S	Ratchet Wheel 1.62" O.D.
131	714-0115	1	S/F	Cotter Pin 1/8" Dia. x 1"
132	710-0429	1	S	Hex B-Tap Scr. #10 x .38" Lg.
133	731-0885	1	S	Side Chute Deflector Ass'y.
134	741-0522	1	S	Hex Flange Bearing
135	811-00185	1	S	Throttle Box Comp. (Incl. Ref. 4, 7, 8, 10, 79)
136	10622B	1	S	Spring - Nylon
138	17053A	1		Chain Cover
140	710-0599	1	/P	Hex S-Tap Scr. 1/4-20 x .50"
144	736-0300	1	S	FI-Wash. .385" I.D. x .87"
147	738-0719A	1	S	Rear Shaft Ass'y. 21.94" Lg.
148	741-0324	1	S	Hex Flange Brg. .506" I.D.
149	736-0160	1	S	FI-Wash. .531" I.D. x .930"
152	710-0751	1	/P	Hex Bolt 1/4-20 x .62" Lg. (Grade 5)
153	717-0417B	1	S	Transmission Comp. (See Breakdown)
154	16500A	1	S	Hex Bearing Cup
161	749-0764A	1	S	Rear Catcher Frame
164	746-0706	1		Spd. Control Cable - 50" Lg.
165	731-0924	1		6-Spd. Shift Lever
166	17070	1	S	Adjustable Cable Brkt.
168	712-0291	1	S	Hex Cent. L-Nut 1/4-20 Thd.
169	714-0507	1	S	Cot-Pin 3/32" Dia. x .75" Lg.
170	747-0684	1		Shift Rod
171	741-0500	1	S	Movable Pulley Half Ass'y
172	710-0167	1	/P	Carr. Bolt 1/4-20 x .5" Lg.
173	756-0503	1		Splined Pulley Half
174	731-1137	1	S	Flanged Bushing
175	736-0278	1		FI-Wash. .328" I.D. x .68" O.D.
176	682-7514	1	S	Housing Ass'y. Code: N Notates a new part (not previously existing)
177	732-0627	1		Shift Lever Spring
178	726-0175	1	/P	Clamp
179	751B281302	1		Engine Cover (Gray) Code: N Notates a new part (not previously existing)
180	710-1256	1	/P	Screw #10 x 1.25" Lg.
181	736-0258	1	/P	FI-Wash. .383" I.D. x 1" O.D.



123-898C190 21" ERS 6 Speed Convertible Mower (1993)
Front Axle & Wheels

Page 6 of 8

Ref #	Part Number	Qty	S/P/F	Description
1	738-0102	1	S	Front Axle Bolt
2	734-1513B	1	S	Wheel Ass'y, Comp. (Gray)
4	741-0484	1	S	Flange Ball Brg. .501" I.D.
6	736-0105	1	/P	Bell-Wash. .380" I.D. x .88
7	710-1241	1		Hex Wash. Hd. Scr. 1/4-20 x 1" Lg.
8	736-0329	1	S/F	L-Wash. 1/4" I.D.
9	741-0492A	1	/P	Block Bushing
10	17733	1	S	Axle Ass'y.
11	782-0516	1		Height Adj. Bracket
12	710-0653	1	/P	Hex Wash. Hd. TT-Tap Scr. 1/4-20 x .38" Lg.
13	720-0190	1	S	Knob
14	732-0639	1		Spring Lever
15	731-1422	1		Plastic Front End (Gray) Code: N Notates a new part (not previously existing)
16	710-0352	1	/P	Hex B-Tap Scr. 1/4" x .38"
17	17065A	1	S	Belt Cover
18	710-0599	1	/P	Hex Wash. Hd. TT-Scr. 1/4-20
19	736-0270	1	/P	Bell-Wash. .265" I.D. x .75"
20	710-0896	1	/P	Hex Wash. Hd. B-Tap Scr. 1/4 x .62" (Spec.)
21	712-0287	1	S/F	Hex Nut 1/4-20 Thd.
23	17058A	1	S	Transmission Belt Guard
24	747-0549	1		S.P. Belt Guard
25	710-1242	1	/P	Torx Truss Md. Scr. 5/16 x .75"
26	736-0242	1	/P	Bell-Wash. .345" I.D. x .88" O.D.
27	731-0981A	1	S	Hub Cap (Gray)
28	746-0710A	1	S	S.P. Cable 50" Lg.
29	736-0504	1	S	Wave Wash. .51" I.D. x .75" O.D.
30	736-0222	1	S	External L-Wash. 1/4" I.D.
31	710-0167	1	/P	Carr. Bolt 1/4-20 x .5" Lg.
32	712-3027	1	S	Hex L-Nut 1/4-20 Thd.



123-898C190 21" ERS 6 Speed Convertible Mower (1993)
Transmission

Page 8 of 8

Ref #	Part Number	Qty	S/P/F	Description
1	710-1062	1	F	Hex Bolt 1/4-20 x 1.25" Lg. w/Patch
2	736-0329	1	S/F	L-Wash. 1/4" I.D.
3	717-0418A	1	/P	Upper Hsg. Half
4	713-0400	1		#48 Sprocket 7 Tooth x 1/2 Pitch
5	736-0336	1	S	FI-Wash. 5/8" I.D. x .030
6	741-0413	1	S	Hex Flange Brg. .631" I.D.
7	16500A	1	S	Hex Bearing Cup
8	736-0314	1	S	Thrust Wash. .382" I.D. x .70" O.D.
9	741-0479	1		Thrust Bearing .375" I.D. x .812" O.D.
11	717-1216	1	S	11 Tooth Pinion Shaft
12	748-0208A	1	/P	Flange Bearing
13	721-0212	1		Oil Seal
15	756-0330A	1	/P/F	FI-Pulley 5.06" O.D.
16	736-0270	1	/P/F	Bell-Wash. .265" I.D. x .75"
17	712-0351	1	S/F	Hex L-Nut 1/4-28 L.H. Thd.
18	738-0440	1	F	Shld. Spacer .375" Dia. x .170
19	736-0344	1	S/F	FI-Wash. .390" I.D. x 1.0"
20	738-0826	1	S/F	Shld. Bolt .375" Dia. x .40"
21	756-0558	1	S/F	FI-Idler Plastic 1.50" Dia.
22	741-0556	1	S/F	Needle Brg. .375" x .31
23	736-0270	1	/P/F	Bell-Wash. .265" I.D. x .75"
24	17052A	1	/P/F	Idler Brk't. Ass'y.
25	712-0138	1	S/F	Hex Patch L-Nut 1/4-28 Thd.
26	732-0357A	1	S/F	Extension Spring 1.12" Lg.
27	717-0419A	1	S	Lower Hsg. Half
28	741-0415	1	S	Flange Bearing .566 Dia.
29	717-0422A	1	S	33 Tooth Helical Gear
30	741-0414	1		Flange Bearing .629 Dia.
31	721-0213	1	/P	Oil Seal .625 Dia.
32	738-0607A	1	S	Gear Sprocket Shaft
33	736-0722	1	S	L-Wash. #10 I.D.
34	710-0436	1	S	Hex B-Tap Scr. #10 x .62"
35	736-0410	1	S/F	Hex Washer .26" x .88"
	717-04178	1		Transmission Comp.